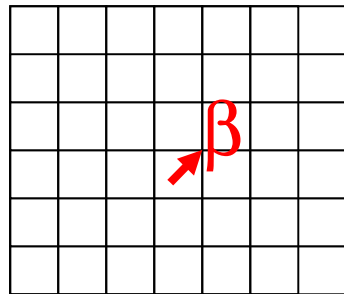


Some options for the beta detectors

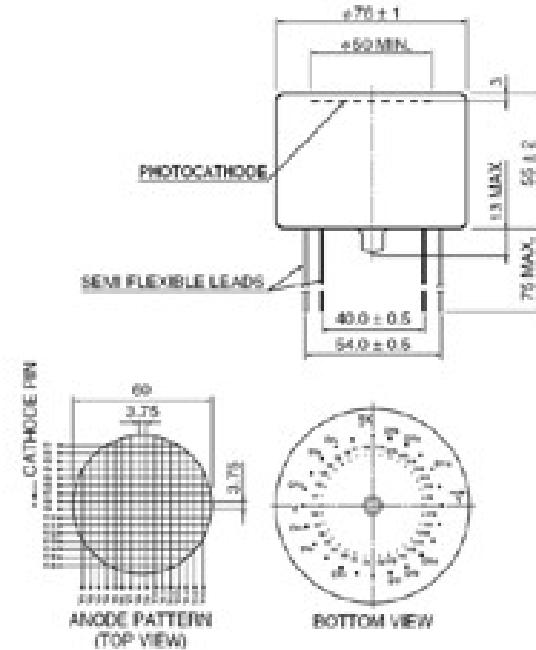
Problem -AIDA DSSD implantation detector is slow and we need faster signal (few 100 ps resolution)

Options

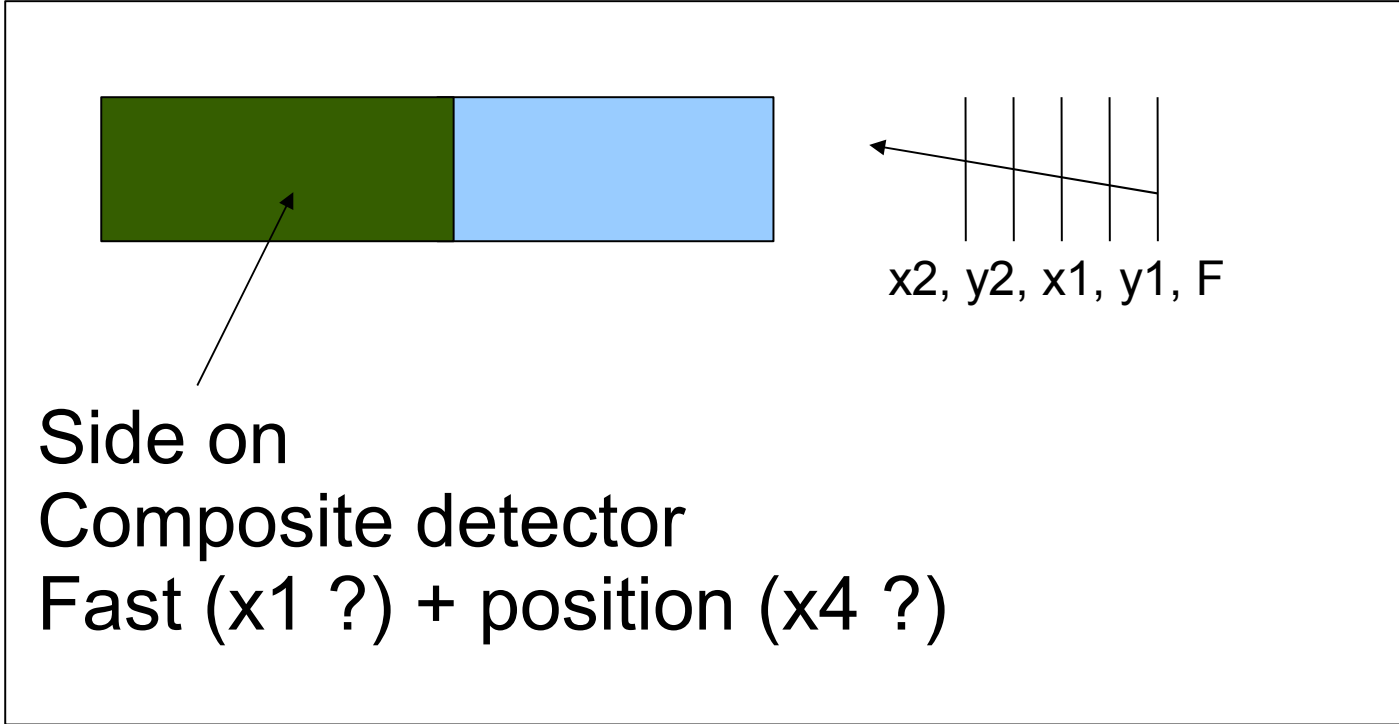
- simple thin plastic detectors around AIDA
- plastic implantation detectors



Position-sensitive PMTs e.g. Hamamatsu R2486



Coupled
directly to
front



Scintillating optical fibres From Saint-Gobain

